

SERVICE BULLETIN

GA107-7

June 14, 2005

1.1 Subject: Cyclic Stick Interference with P132 Console

1.2 Effectivity: Eurocopter AS350 Series helicopters with Eagle Audio P132 Console installed

1.3 Description:

Helicopters equipped with the Eagle Audio P132 Console installed under STC SH4747NM, may encounter a problem of restricted cyclic stick travel. The P132 console is both taller and wider than the Eurocopter original console, and may limit cyclic travel under certain conditions. The pilot's left leg may interfere with cyclic movement due to crowding by the console. With dual controls installed, the right leg of the person in the left seat might also cause reduced cyclic travel.

The P132 Console will limit cyclic travel toward the console if the Pilot's or Copilot's leg is wedged between the console and the cyclic. This may not be noticed except during flights requiring cyclic movements near lateral limits (such as with a substantial lateral C.G. loading, high crosswinds, or slope landings). To address the potential of flight control restriction, this Service Bulletin provides for replacing the factory pilot and copilot cyclic sticks with Geneva RH Cyclic Stick G12316-26 and Geneva LH Cyclic Stick G12324-26.

1.4 Compliance:

By the operator upon receipt of this service bulletin, comply with section 2.0 within 60 days.

1.5 Approval:

FAA Seattle Aircraft Certification Office approved this service bulletin.

1.6 Manpower:

1 mechanic, 8 hours labor.

1.7 Material:

Geneva RH cyclic stick G12316-26
Geneva LH cyclic stick G12324-26

Optionally, for “Bendix” cyclic grip installations use:

Geneva RH cyclic stick G12425-26
Geneva LH cyclic stick G12426-26

1.8 Weight and Balance:

No Change

2.0 Instructions:

- 2.1 Replacement of the factory pilot cyclic stick and copilot cyclic stick is required. Replacement of the cyclic sticks must be done in accordance with Eurocopter maintenance documents and these instructions.

Replacement of cyclic sticks: Refer to Eurocopter maintenance documents for additional removal and installation procedures. Install the Eagle Audio G12316-26 RH cyclic stick and G12324-26 LH cyclic stick into the flight control from which the original was removed. If the cyclic tube cannot be easily inserted, match fitting of the parts is required to achieve a slip fit using hand pressure only. The flight control's mating diameter may be out of round and the cyclic stick may be out of round. Gently squeeze the out-of-round parts to eliminate the out-of-roundness. The cyclic tube may also be of greater diameter than the hole into which it is to slide. In this case, lightly sand the cyclic stick's area of interference using 400 grit paper and polish to match the finish of the unsanded areas. Blend sanded area into the unsanded surface to provide a smooth transition without edges. Sand the minimum amount required to achieve a snug slip fit. The fastener holes in either end of the stick may require match fitting to the mating parts to achieve a slip fit for the fastener.

- 2.2 **Modification of Pistol Grip.** If the base of the grip has a flange that sticks out to help support the hand, remove 3/8" of this flange as shown in Figure 1 below. Sand the cut areas smooth. This step will be easier to perform if it is done after the grip is removed from the original stick during the stick replacement step. Both the Pilot and Copilot grips are to be modified.

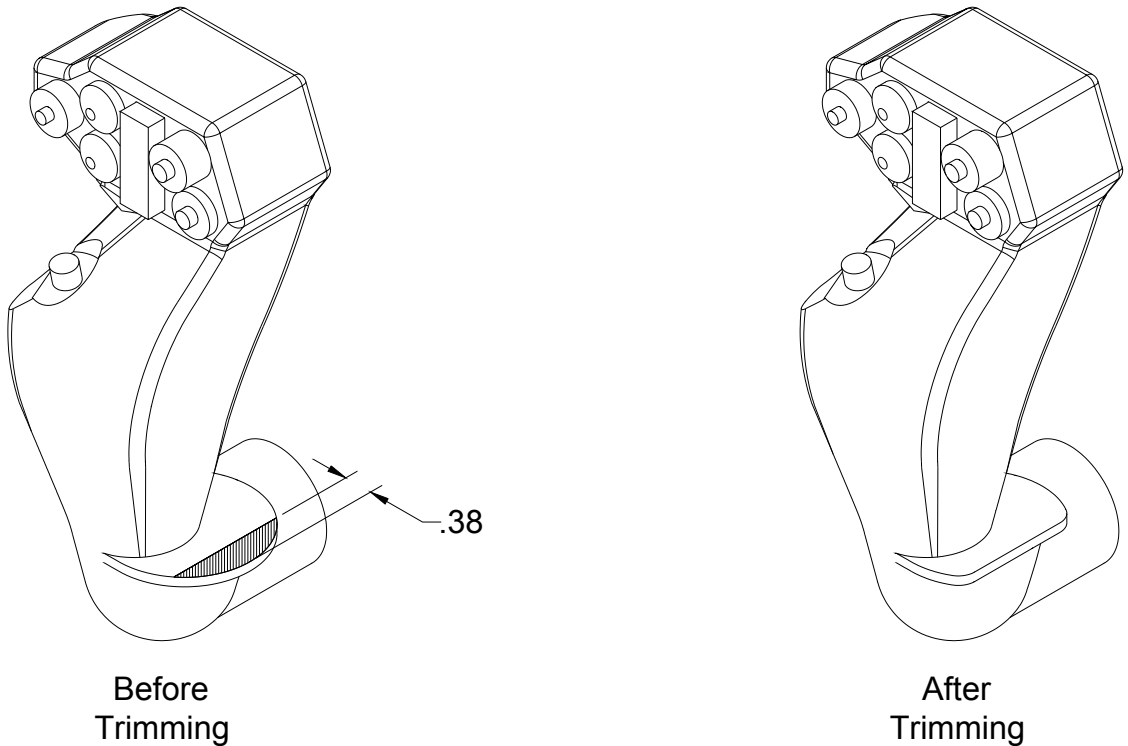


FIGURE 1

- 2.3 **Copilot cyclic stand (receptacle) modification.** This modification prevents the factory original copilot cyclic stick from being installed inadvertently into the aircraft. Only a Eagle Audio LH cyclic stick G12324-26 will be able to be installed once this modification is completed.

Remove the copilot cyclic stick stand (ref. p/n 350A27159403) from the aircraft. Install blind rivet as shown in Figure 2. Reinstall cyclic stand into aircraft and install Eagle Audio LH cyclic stick G12324-26 into stand as detailed in section 2.1.

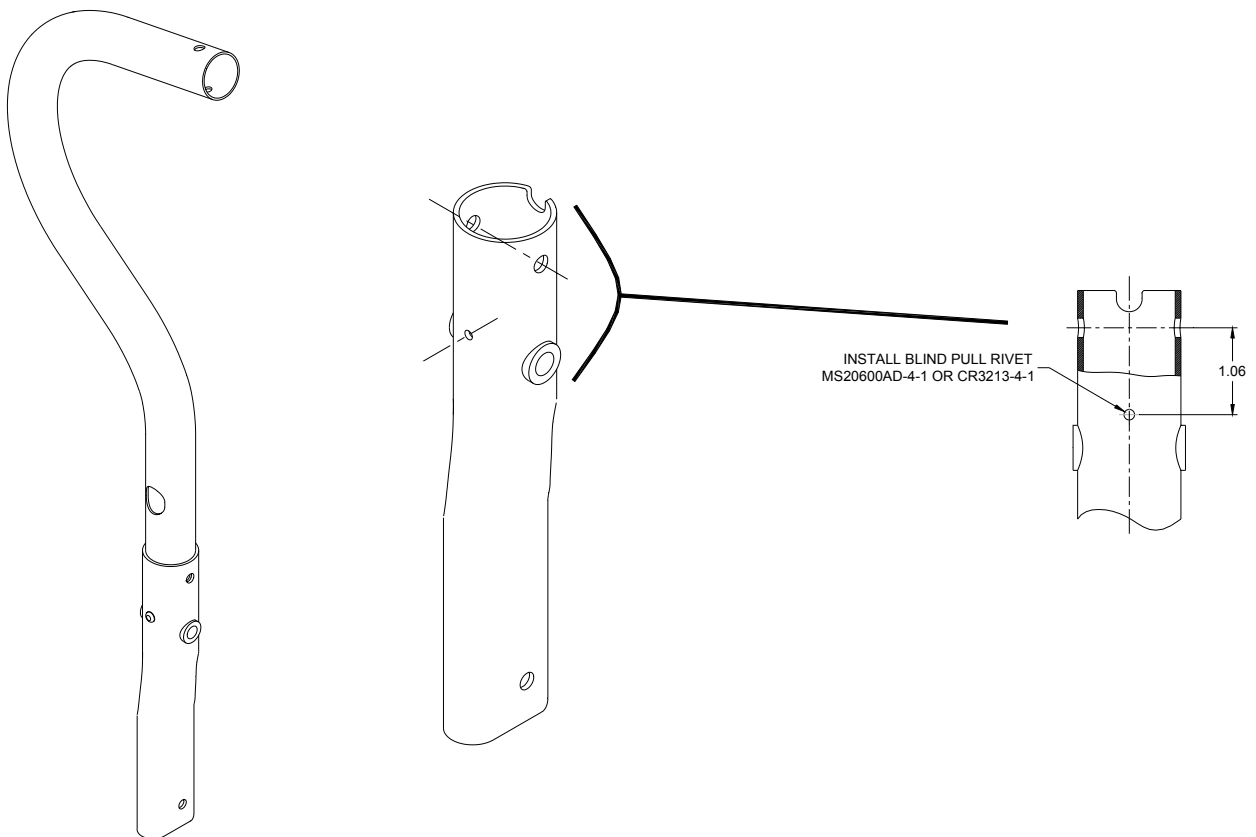


FIGURE 2

- 2.4 For installations using a “Bendix” Cyclic Grip (the cyclic stick has a right angle bend at the top), use p/n G12425-26 in place of G12316-26 and use G12426-26 in place of G12324-26.

- 2.5 Once the modifications have been completed, add Rotorcraft Flight Manual Supplement GA107-2-P132 Rev A dated 8/12/2004 to the flight manual and make a log book entry of compliance with this service bulletin.

LOG OF REVISIONS

REVISION LEVEL	DATE OF REVISION	DESCRIPTION OF CHANGE	APPROVAL
--	6/14/05	Initial Release, replaces SB2004.01 dated 8/12/04	CLB