



## LSA800-002 Loudspeaker Amplifier ASM-LSA800 Installation and Operation Manual Supplement

This supplement contains installation and operation information that is unique to the LSA800-002 Loudspeaker Amplifier. Installation and operation information common to the LSA800-001 base unit can be found in the ASM-LSA800 Installation and Operation Manual.

Prepared By:  Duane Stewart Designer 13-Feb-2025 	Checked By:  Adam Pembleton Designer 13-Feb-2024 	Approved By:  Johnathon White Program Manager 13-Feb-2025 
--	--	---

### Section 1.0 Description

The LSA800-002 Loudspeaker Amplifier is identical to the LSA800-001 with the following exception:

- a) The rated speaker output level is 28.3 Vrms into 4 Ohms instead of 34.65 Vrms into 3 Ohms

### Section 2.0 Installation

For installation information and drawings, see ASM-LSA800 Section 2.0. Select the appropriate revision of the drawing for the serial number of the unit. The drawings specific to this derivative are listed below and can be found at the end of this supplement.

#### 2.1 Installation Drawings

DOCUMENT NO.	REV.	DESCRIPTION	TYPE	SERIAL NO.
LSA800-002-403-0	1.01	Loudspeaker Amplifier	Interconnect	111699 and up
LSA800-002-405-0	1.00	Loudspeaker Amplifier	Connector Map	111699 and up
LSA800-002-922-0	1.00	Loudspeaker Amplifier	Mechanical Installation	111699 and up

### Section 3.0 Operation

For operational information, see ASM-LSA800 Section 3.0.

End of Supplement

REVISIONS			
REV	DESCRIPTION	DATE	BY
1.01	ECO 1232 - PINS D & E INTERCHANGED ON LS800-34xx CONNECTOR	13-FEB-2025	AMP




LSA800-002 INSTALLATION NOTES

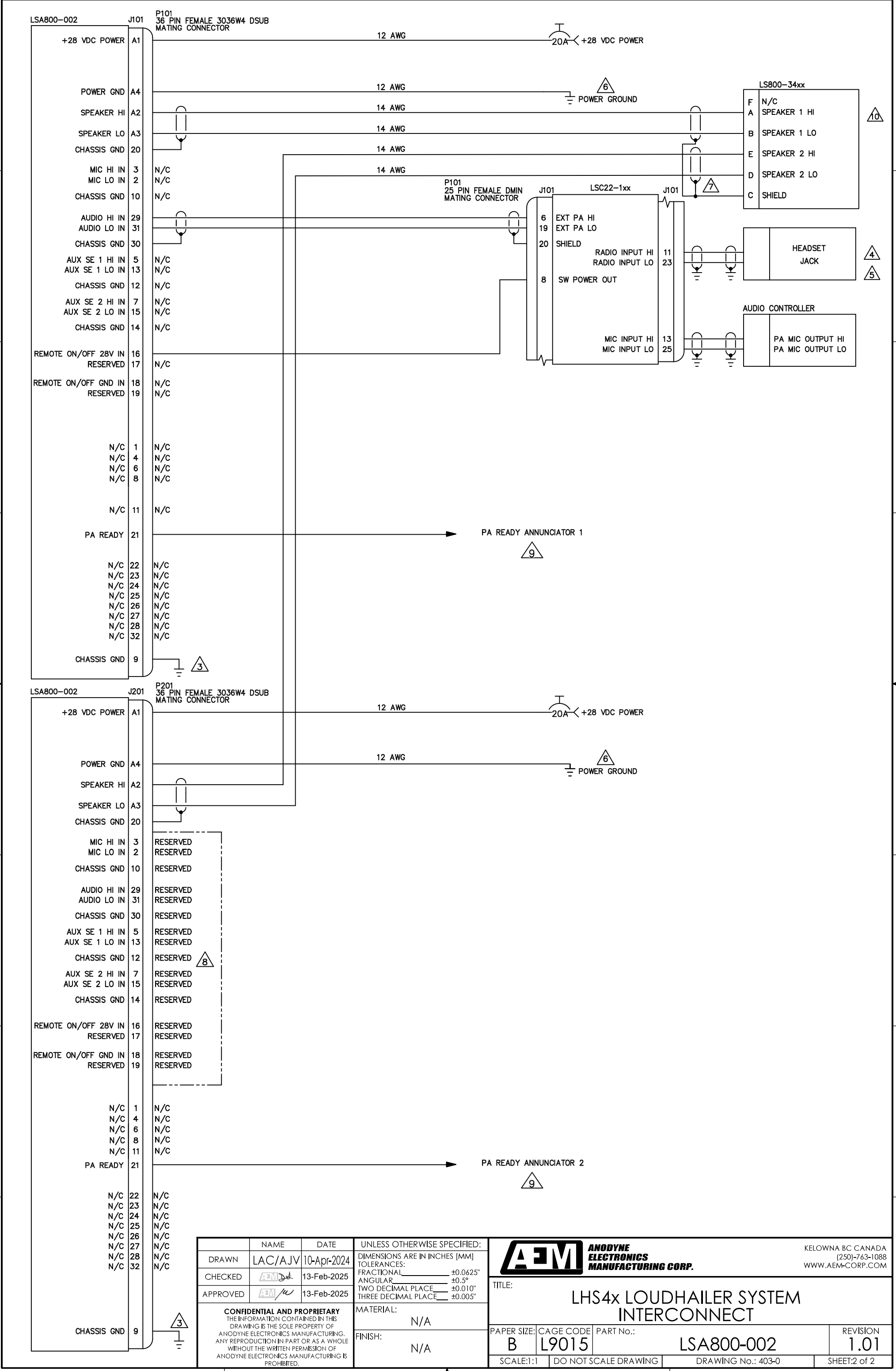
NOTES:

1. ALL WIRES SHOULD BE 22 AWG UNLESS OTHERWISE SPECIFIED. ALL UNSHIELDED WIRE SHALL BE SELECTED IN ACCORDANCE WITH AC43.13-1B CHANGE 1, PARAGRAPHS 11-76 THROUGH 11-78. WIRE TYPES SHOULD BE TO MIL-W-22759 AS SPECIFIED IN AC43.13-1B CHANGE 1, PARAGRAPHS 11-85, 11-86 AND LISTED IN TABLE 11-11. ALL SHIELDED WIRE/CABLE SHOULD BE IN ACCORDANCE WITH MIL-C-27500.
2. CABLE LENGTH NOT TO EXCEED 30 FT [9.14 M], UNLESS OTHERWISE SPECIFIED.
- ③ CABLE LENGTH NOT TO EXCEED 1 FT [0.3 M].
- ④ SYSTEM CROSSTALK MAY BE EFFECTED BY STYLE OF HEADSET AND JACK. CHECK SPECIFICATIONS AND SYSTEM REQUIREMENTS BEFORE SELECTING AND INSTALLING SAME.
- ⑤ OPTIONAL. PARALLEL TO HEADPHONE (1 ONLY) CONNECTION FOR MONITORING RADIOS VIA EXTERNAL P.A. SPEAKER.
- ⑥ CABLE LENGTH NOT TO EXCEED 3.3 FT [1.0 M].
- ⑦ SHIELD LENGTH NOT TO EXCEED 1 FT [0.3 M]. SPEAKER OUTPUT WIRES TO BE BUNDLED AND ROUTED SEPERATELY FROM LOW LEVEL AUDIO INPUT LINES.
- ⑧ NO CONNECTION IN THE AIRCRAFT.
- ⑨ SWITCHED TO POWER GROUND WHEN ACTIVE. CURRENT (SINK) 0.4A MAX.
- ⑩ THE LS800-34xx LOUDSPEAKER CAN ONLY BE USED WITH THE LSC22-1xx LOUDSPEAKER CONTROLLER AND LSA800-002 AMPLIFIER.

DEFINITIONS:

- N/C: NO CONNECTION. THE PIN IS NOT CONNECTED TO ANYTHING INTERNALLY, AND THEREFORE SHALL HAVE NO CONNECTION EXTERNALLY.
- N/C SPARE: NO CONNECTION INTERNALLY, BUT A SPARE WIRE SHALL BE INSTALLED IN THE WIRE HARNESS.
- RESERVED: MAY BE CONNECTED AND USED IN THE FUTURE. THE CIRCUITRY MAY BE PRESENT OR ADDED TO ACTIVATE THE FUNCTION. THE PIN MAY BE USED FOR TEST PURPOSES. THERE IS NO EXTERNAL CONNECTION.
- RESERVED SPARE: RESERVED, BUT INSTRUCTIONS SHALL BE FOLLOWED TO ACTIVATE THE CIRCUITRY. A SPARE WIRE SHALL BE INSTALLED IN THE WIRE HARNESS.

DRAWN		NAME	DATE	UNLESS OTHERWISE SPECIFIED: DIMENSIONS ARE IN INCHES TOLERANCES: FRACTIONAL ± 0.5 Deg ANGULAR: MACH ± BEND ± TWO PLACE DECIMAL ± 0.01 THREE PLACE DECIMAL ± 0.005	 <b>ANODYNE ELECTRONICS MANUFACTURING CORP.</b>	KELOWNA BC CANADA (250)-763-1088 WWW.AEM-CORP.COM				
CHECKED			13-Feb-2025			TITLE: <b>LHS4x LOUDHAILER SYSTEM TITLE</b>	SIZE <b>A</b>	CAGE CODE <b>L9015</b>	PART No. <b>LSA800-002</b>	REV <b>1.01</b>
APPROVED			13-Feb-2025							
PROPRIETARY AND CONFIDENTIAL  THE INFORMATION CONTAINED IN THIS DRAWING IS THE SOLE PROPERTY OF ANODYNE ELECTRONICS MANUFACTURING. ANY REPRODUCTION IN PART OR AS A WHOLE WITHOUT THE WRITTEN PERMISSION OF ANODYNE ELECTRONICS MANUFACTURING IS PROHIBITED.				INTERPRET GEOMETRIC TOLERANCING PER: MATERIAL N/A FINISH N/A DO NOT SCALE DRAWING	SCALE: 1:1	DRAWING No.: 403-0	SHEET 1 of 2			



	NAME	DATE	UNLESS OTHERWISE SPECIFIED:
DRAWN	LAC/AJV	10-Apr-2024	DIMENSIONS ARE IN INCHES [MM]
CHECKED		13-Feb-2025	TOLERANCES:
APPROVED		13-Feb-2025	FRACTIONAL ±0.0625"
			ANGULAR ±0.5°
			TWO DECIMAL PLACE ±0.010"
			THREE DECIMAL PLACE ±0.005"
			MATERIAL:
			N/A
			FINISH:
			N/A

**ANODYNE  
ELECTRONICS  
MANUFACTURING CORP.**

KELOWNA BC CANADA  
(250)-763-1088  
WWW.AEM-CORP.COM

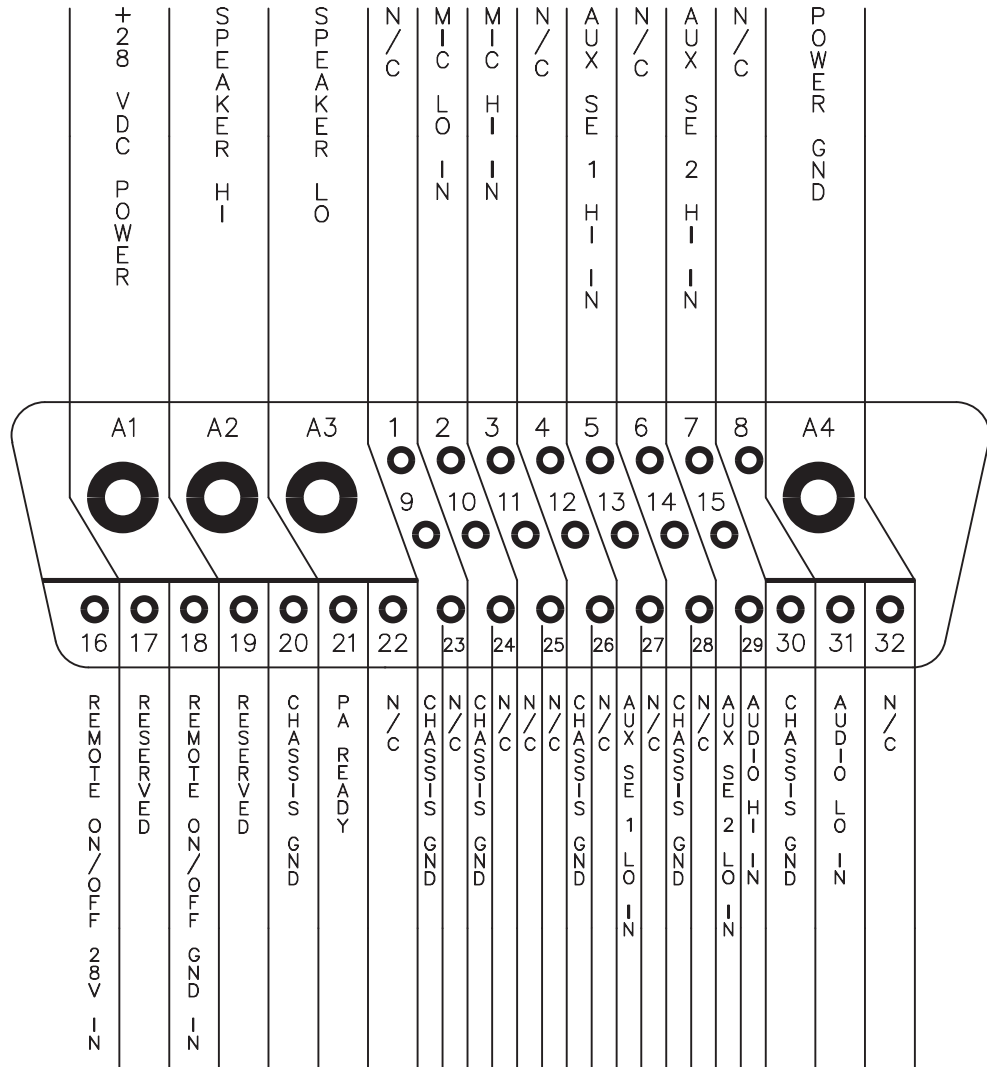
TITLE: LHS4x LOUDHAILER SYSTEM INTERCONNECT

PAPER SIZE: B	CAGE CODE: L9015	PART No.:	LSA800-002	REVISION: 1.01
SCALE: 1:1		DO NOT SCALE DRAWING		DRAWING No.: 403-0
				SHEET: 2 of 2




**CONFIDENTIAL AND PROPRIETARY**  
THE INFORMATION CONTAINED IN THIS DRAWING IS THE SOLE PROPERTY OF ANODYNE ELECTRONICS MANUFACTURING. ANY REPRODUCTION IN PART OR AS A WHOLE WITHOUT THE WRITTEN PERMISSION OF ANODYNE ELECTRONICS MANUFACTURING IS PROHIBITED.

P101

36 PIN D-MIN SOCKET  
MATING CONNECTOR

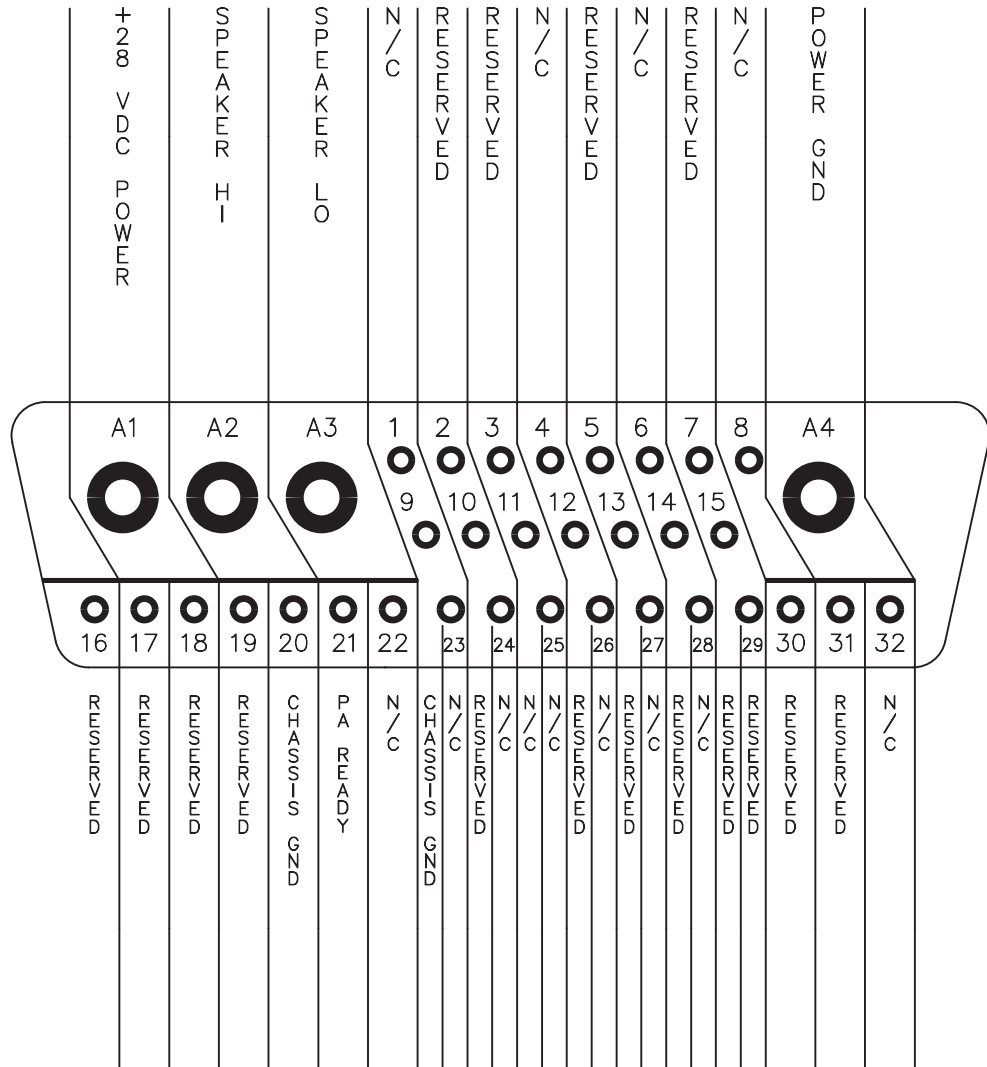


VIEW IS FROM REAR OF AIRFRAME CONNECTOR.

NAME	DATE	UNLESS OTHERWISE SPECIFIED: DIMENSIONS ARE IN INCHES TOLERANCES: FRACTIONAL ± 0.5 Deg ANGULAR: MACH ± BEND ± TWO PLACE DECIMAL ± 0.01 THREE PLACE DECIMAL ± 0.005			KELOWNA BC CANADA (250)-763-1088 WWW.AEM-CORP.COM	
DRAWN	LAC 18-Jan-2024	INTERPRET GEOMETRIC TOLERANCING PER:			TITLE: <b>LOUD SPEAKER AMPLIFIER CONNECTOR MAP</b>	
CHECKED	 19-Jan-2024	MATERIAL	SIZE	CAGE CODE	PART No.	REV
APPROVED	 09-Apr-2024	FINISH	A	L9015	LSA800-002	1.00
PROPRIETARY AND CONFIDENTIAL		DO NOT SCALE DRAWING	SCALE: 1:1		DRAWING No.: 405-0	
THE INFORMATION CONTAINED IN THIS DRAWING IS THE SOLE PROPERTY OF ANODYNE ELECTRONICS MANUFACTURING. ANY REPRODUCTION IN PART OR AS A WHOLE WITHOUT THE WRITTEN PERMISSION OF ANODYNE ELECTRONICS MANUFACTURING IS PROHIBITED.				SHEET 1 of 2		

P201

36 PIN D-MIN SOCKET  
MATING CONNECTOR

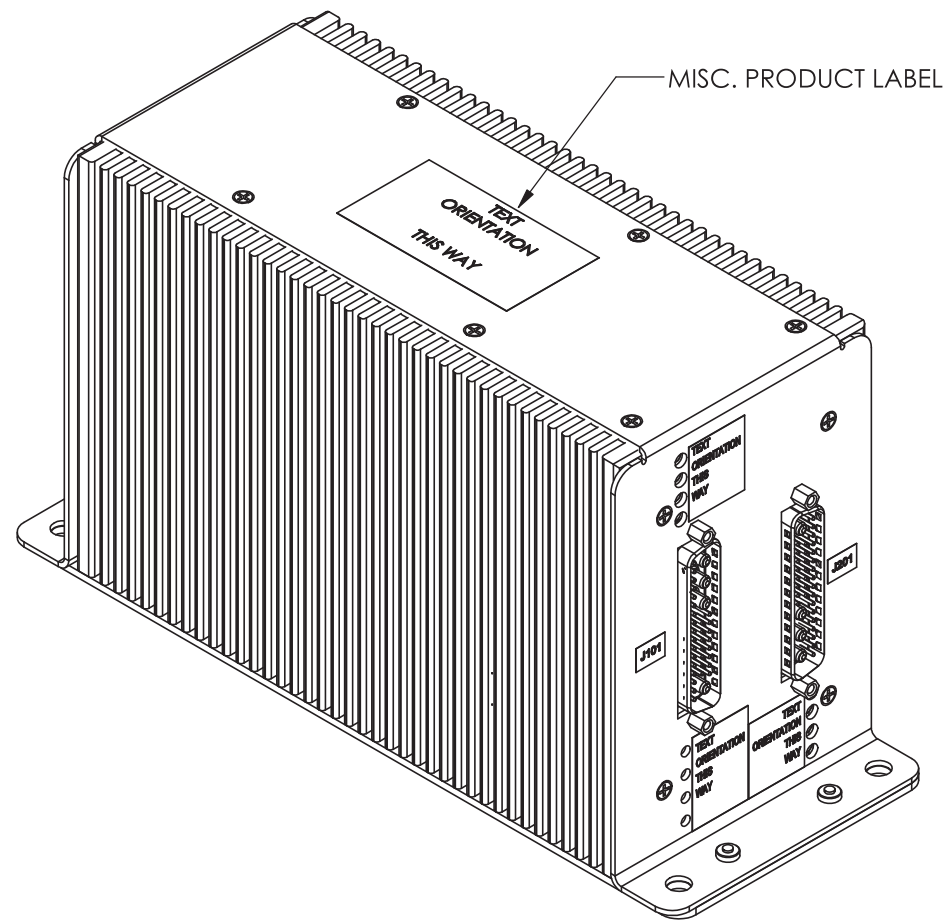
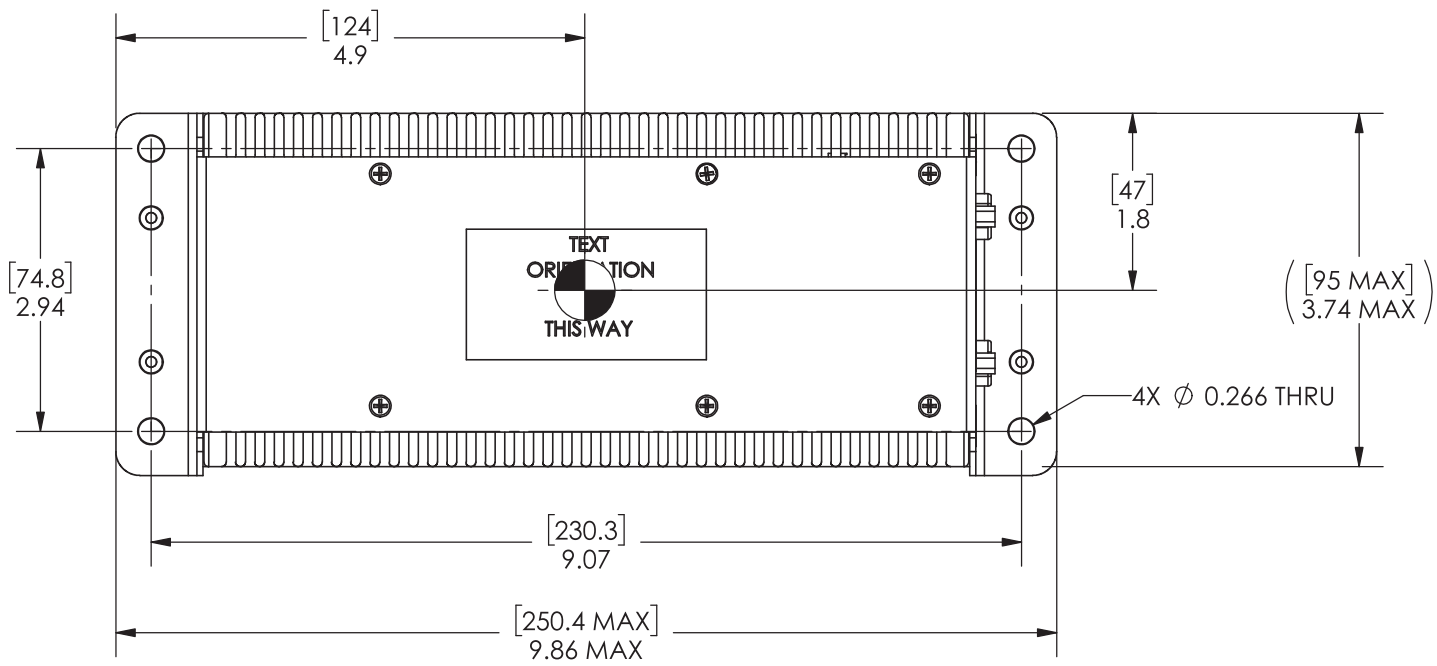


VIEW IS FROM REAR OF AIRFRAME CONNECTOR.

<table border="1"> <tr> <td>NAME</td> <td>DATE</td> <td rowspan="3">                 UNLESS OTHERWISE SPECIFIED:                  DIMENSIONS ARE IN INCHES                  TOLERANCES:                  FRACTIONAL ± 0.5 Deg                  ANGULAR: MACH ± BEND ±                  TWO PLACE DECIMAL ± 0.01                  THREE PLACE DECIMAL ± 0.005             </td> </tr> <tr> <td>DRAWN</td> <td>LAC 18-Jan-2024</td> </tr> <tr> <td>CHECKED</td> <td><i>[Signature]</i> 19-Jan-2024</td> </tr> <tr> <td>APPROVED</td> <td><i>[Signature]</i> 09-Apr-2024</td> <td></td> </tr> </table>	NAME	DATE	UNLESS OTHERWISE SPECIFIED: DIMENSIONS ARE IN INCHES TOLERANCES: FRACTIONAL ± 0.5 Deg ANGULAR: MACH ± BEND ± TWO PLACE DECIMAL ± 0.01 THREE PLACE DECIMAL ± 0.005	DRAWN	LAC 18-Jan-2024	CHECKED	<i>[Signature]</i> 19-Jan-2024	APPROVED	<i>[Signature]</i> 09-Apr-2024				KELOWNA BC CANADA (250)-763-1088 WWW.AEM-CORP.COM	
NAME	DATE	UNLESS OTHERWISE SPECIFIED: DIMENSIONS ARE IN INCHES TOLERANCES: FRACTIONAL ± 0.5 Deg ANGULAR: MACH ± BEND ± TWO PLACE DECIMAL ± 0.01 THREE PLACE DECIMAL ± 0.005												
DRAWN	LAC 18-Jan-2024													
CHECKED	<i>[Signature]</i> 19-Jan-2024													
APPROVED	<i>[Signature]</i> 09-Apr-2024													
PROPRIETARY AND CONFIDENTIAL  THE INFORMATION CONTAINED IN THIS DRAWING IS THE SOLE PROPERTY OF ANODYNE ELECTRONICS MANUFACTURING. ANY REPRODUCTION IN PART OR AS A WHOLE WITHOUT THE WRITTEN PERMISSION OF ANODYNE ELECTRONICS MANUFACTURING IS PROHIBITED.		INTERPRET GEOMETRIC TOLERANCING PER: MATERIAL - FINISH -		TITLE: <h2 style="text-align: center;">LOUD SPEAKER AMPLIFIER CONNECTOR MAP</h2>										
DO NOT SCALE DRAWING		SIZE <h1 style="font-size: 2em;">A</h1>	CAGE CODE <h1 style="font-size: 2em;">L9015</h1>	PART No. <h1 style="font-size: 2em;">LSA800-002</h1>	REV <h1 style="font-size: 2em;">1.00</h1>									
		SCALE: 1:1		DRAWING No.: 405-0										
SHEET 2 of 2														

8 7 6 5 4 3 2 1

D

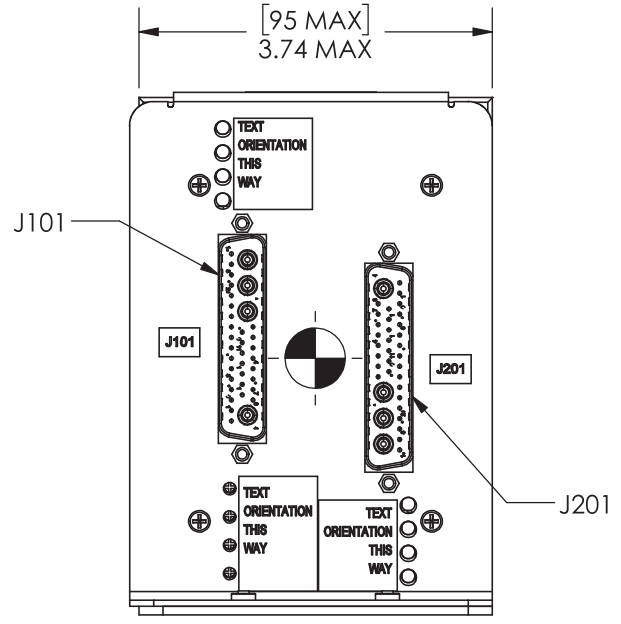
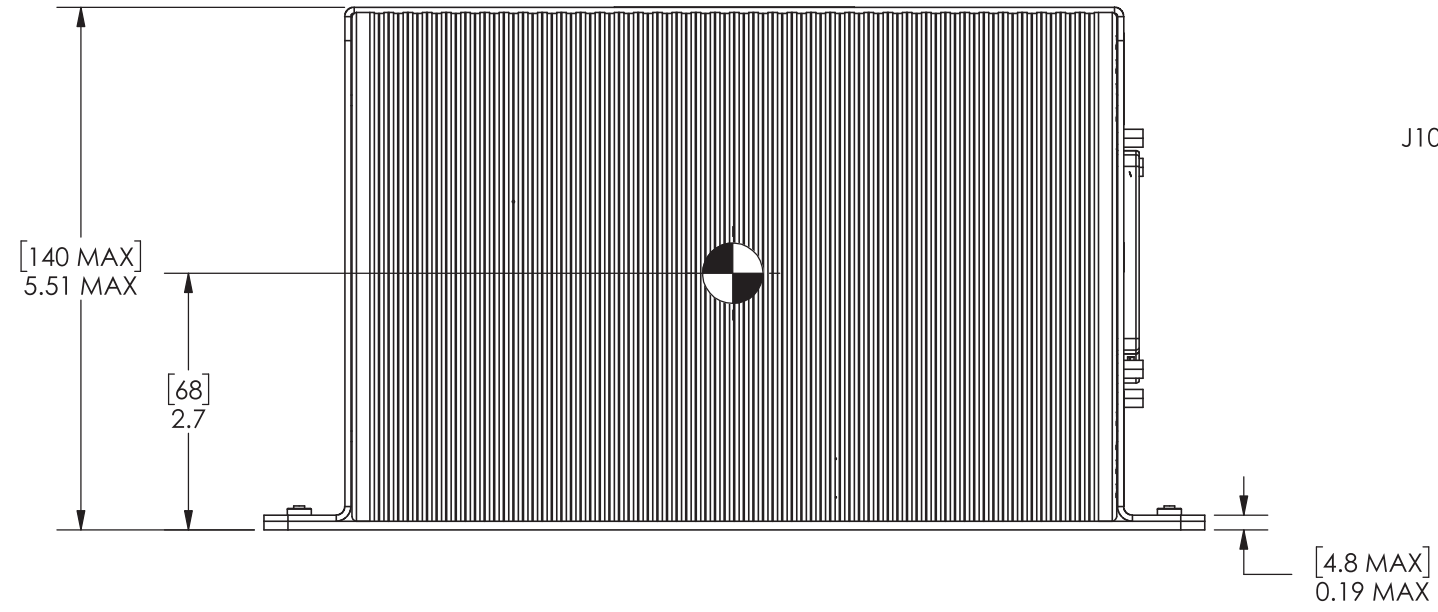


C

C

B

B



NOTES:

1. MASS 6.3 lbs [2.9 kg] MAX.
2. DENOTES CENTER OF MASS (est.)

	NAME	DATE	UNLESS OTHERWISE SPECIFIED:
DRAWN	LAC	18-Jan-2024	DIMENSIONS ARE IN INCHES [MM]
CHECKED		19-Jan-2024	TOLERANCES:
APPROVED		09-Apr-2024	ANGULAR: ±0.5°
			FRACTIONAL: ±0.0625"
			ONE DECIMAL PLACE: ±0.100"
			TWO DECIMAL PLACE: ±0.010"
			THREE DECIMAL PLACE: ±0.005"
<b>CONFIDENTIAL AND PROPRIETARY</b>			MATERIAL:
THE INFORMATION CONTAINED IN THIS DRAWING IS THE SOLE PROPERTY OF ANODYNE ELECTRONICS MANUFACTURING. ANY REPRODUCTION IN PART OR AS A WHOLE WITHOUT THE WRITTEN PERMISSION OF ANODYNE ELECTRONICS MANUFACTURING IS PROHIBITED.			N/A
			FINISH:
			N/A

		<b>ANODYNE ELECTRONICS MANUFACTURING CORP.</b>		100-966 Crowley Ave. KELOWNA, BC V1Y 0L1 (250)-763-1088 WWW.AEM-CORP.COM	
TITLE: <b>LOUD SPEAKER AMPLIFIER MECHANICAL INSTALLATION</b>					
PAPER SIZE: <b>B</b>	CAGE CODE: <b>L9015</b>	PART No. : <b>LSA800-002</b>		REVISION: <b>1.00</b>	
SCALE: 1:2		DO NOT SCALE DRAWING		DRAWING No. : 922-0	
SHEET: 1 OF 1					

A

A

8 7 6 5 4 3 2 1